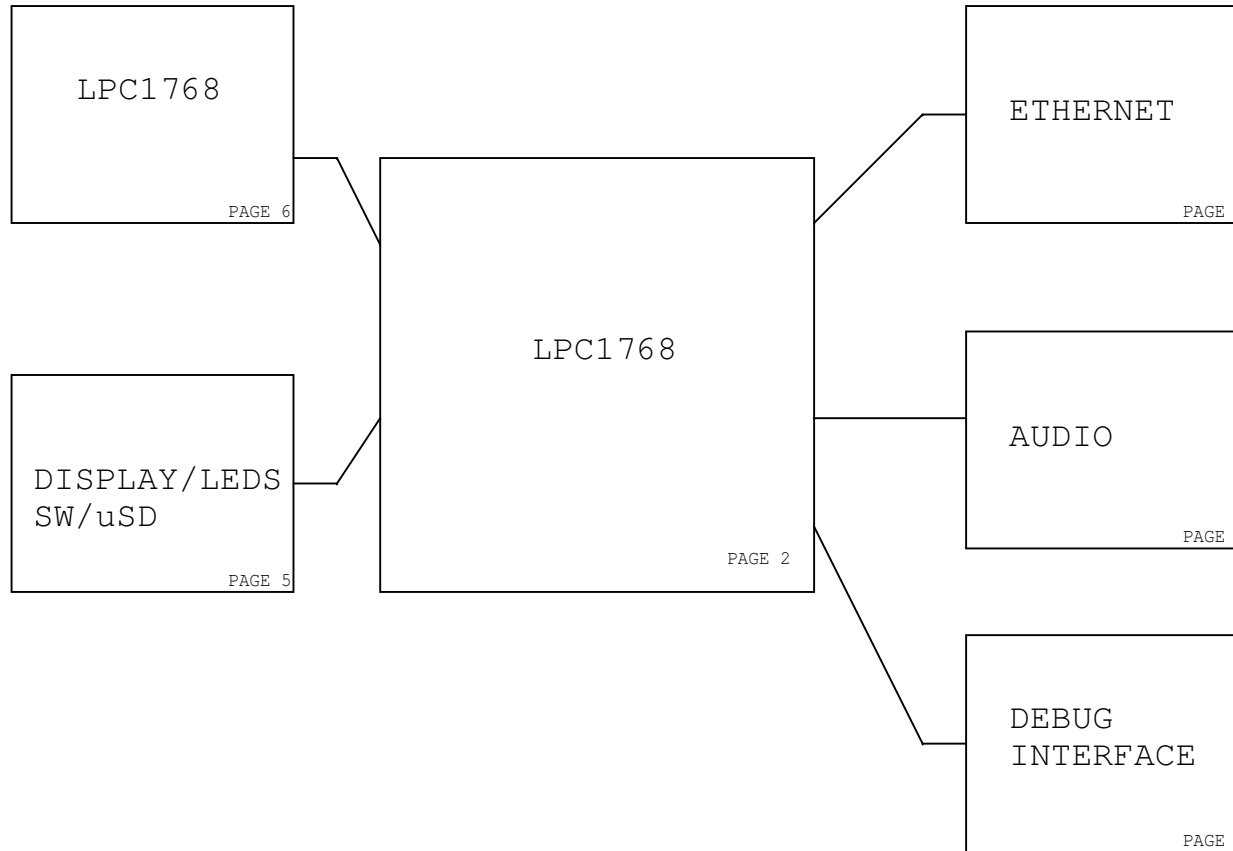


RDB1768 DEVELOPMENT BOARD



(C) Code Red Technologies Inc. 2009

Title

RDB1768 TOP LEVEL

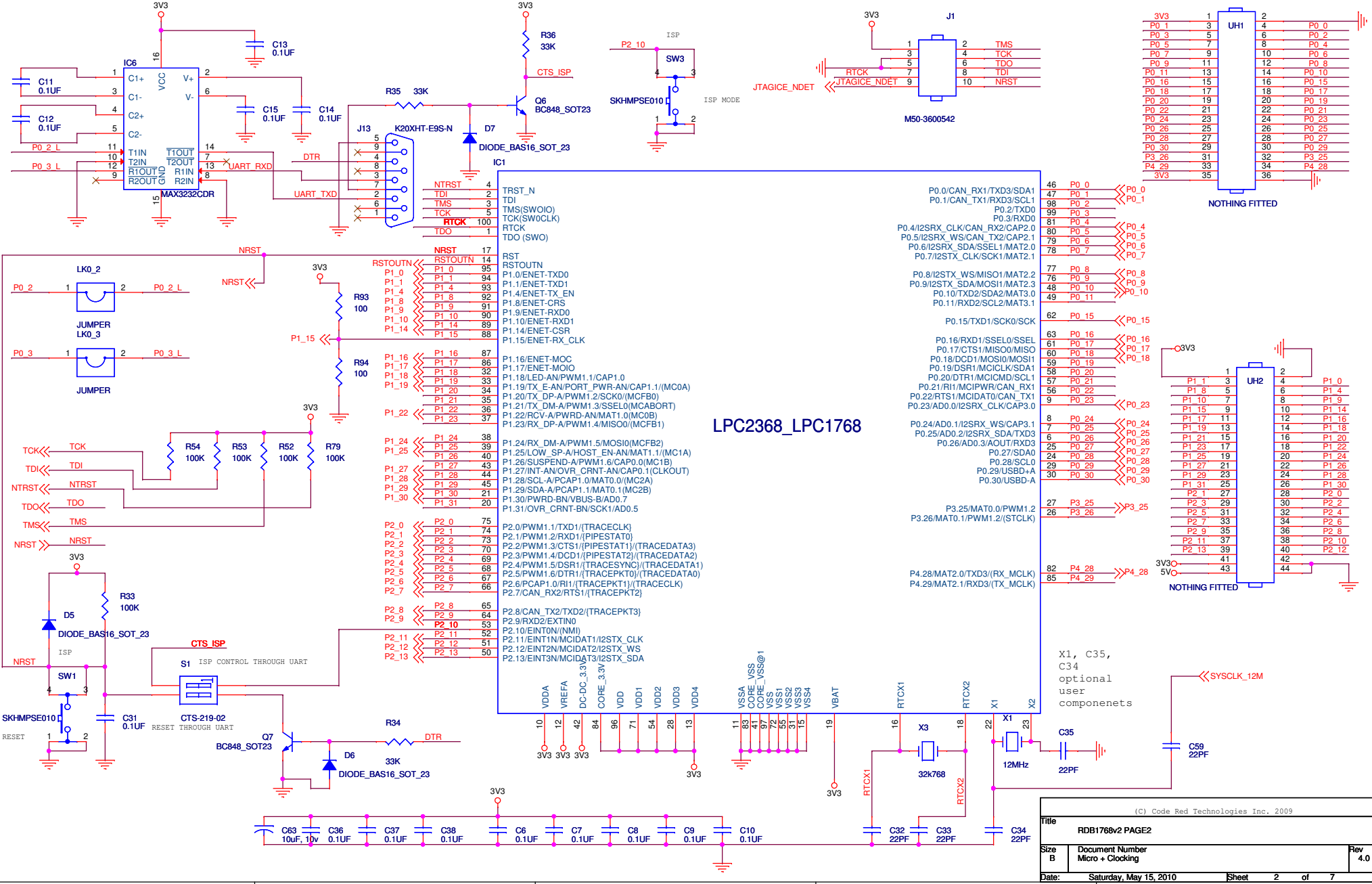
Size
A

Document Number
RDB1768v2 PAGE1

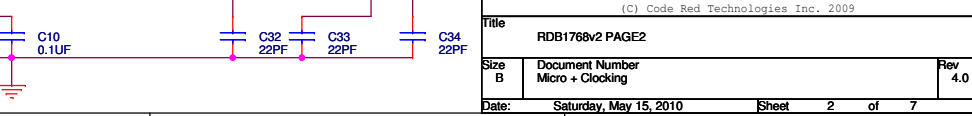
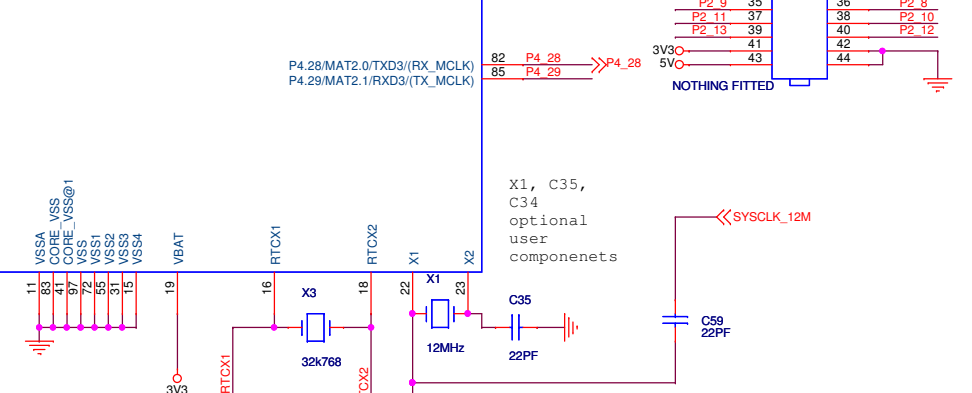
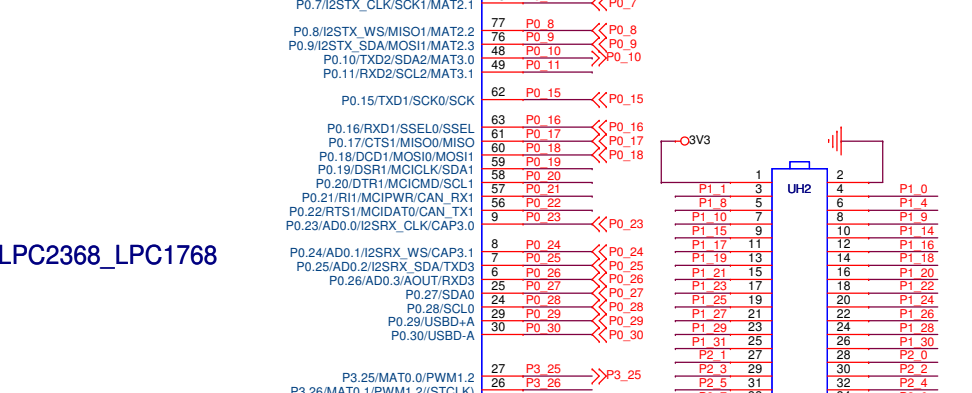
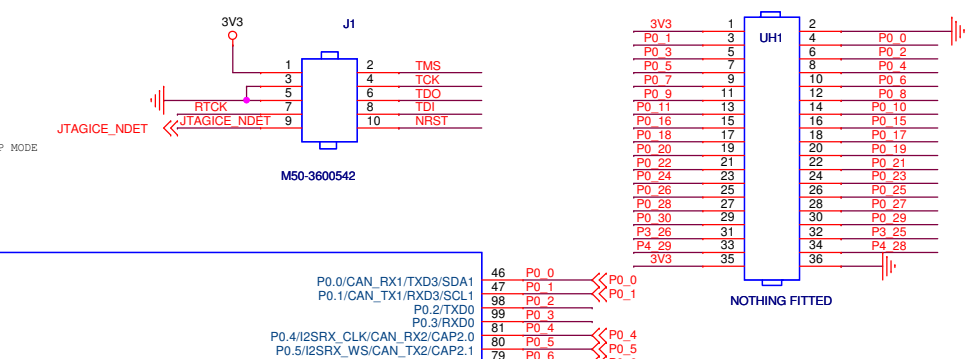
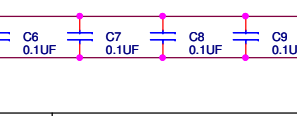
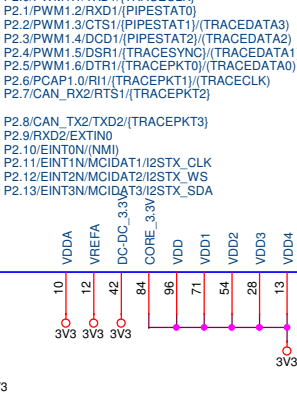
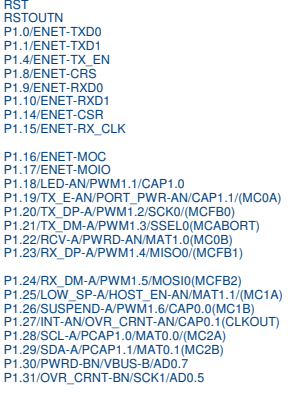
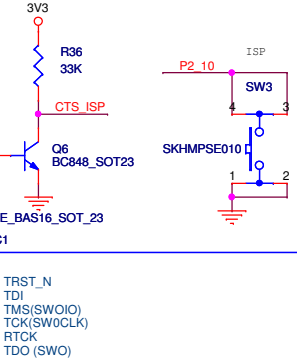
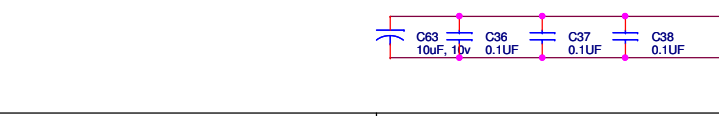
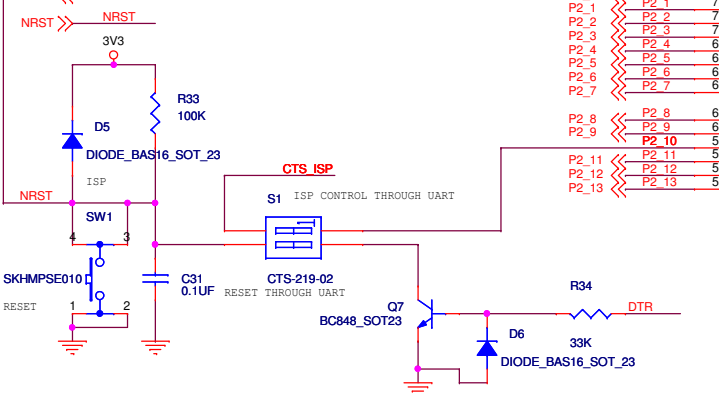
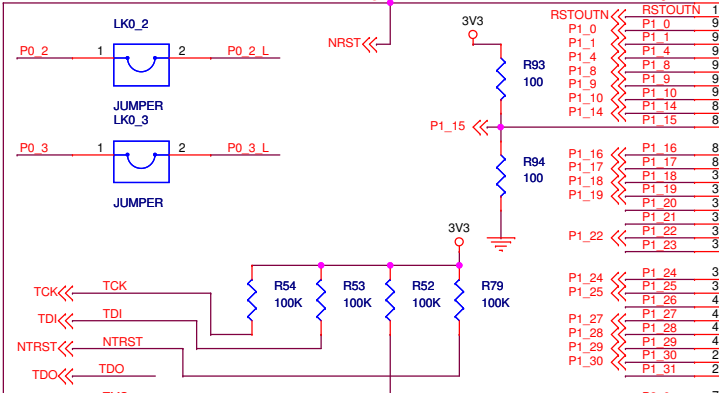
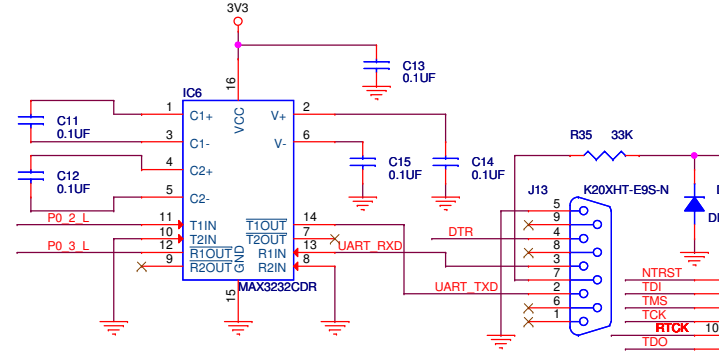
Rev
4.0

Date: Saturday, May 15, 2010

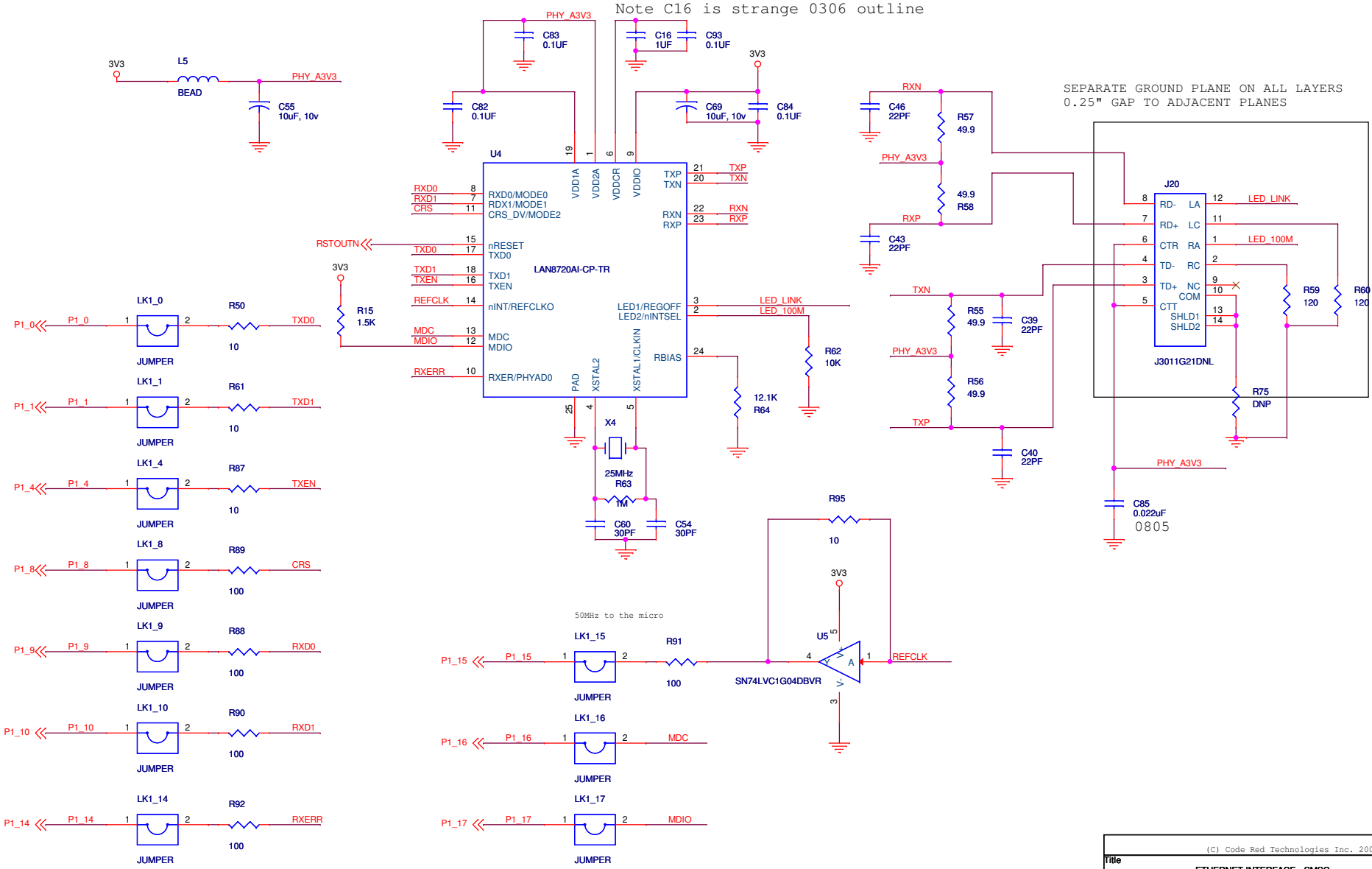
Sheet 1 of 7



LPC2368_LPC1768



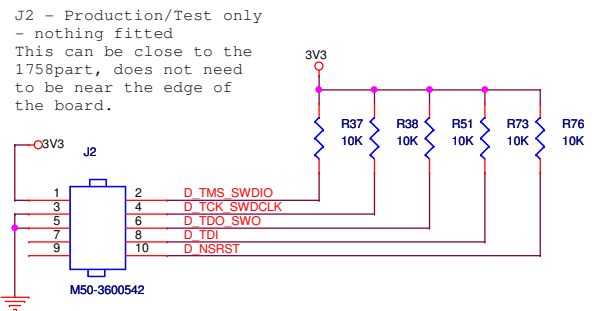
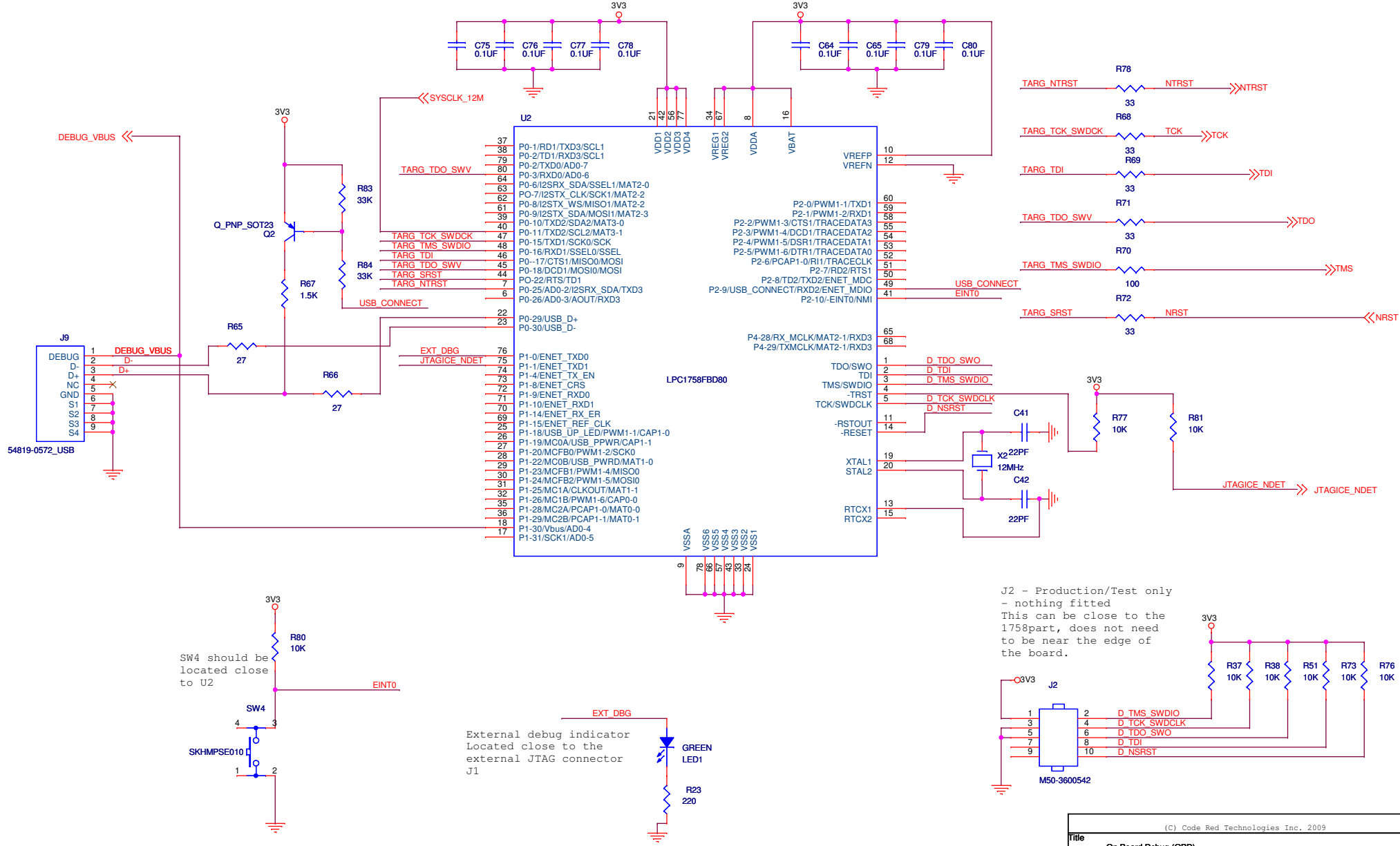
(C) Code Red Technologies Inc. 2009		
Title	RDB1768v2 PAGE2	
Size	Document Number	Rev
B	Micro + Clocking	4.0
Date:	Saturday, May 15, 2010	Sheet 2 of 7



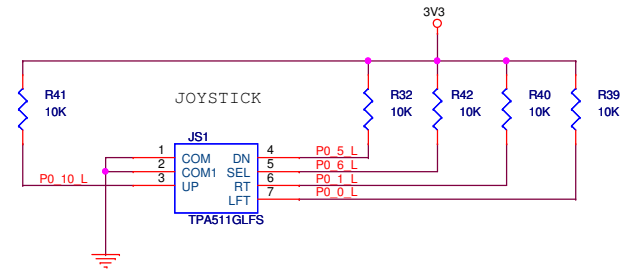
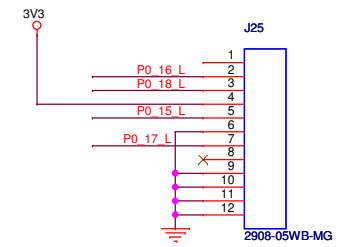
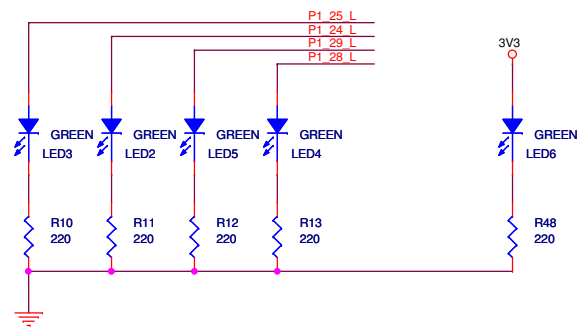
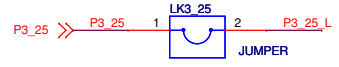
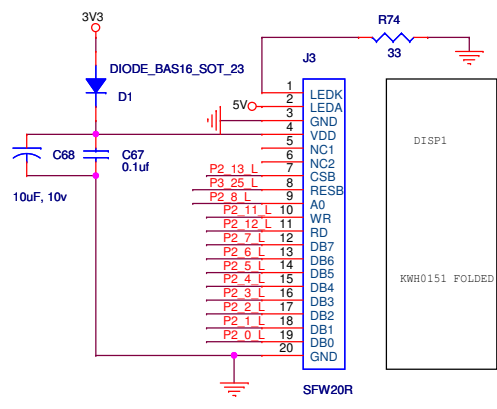
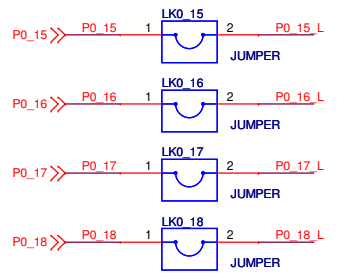
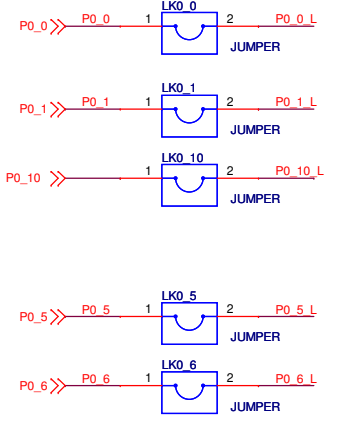
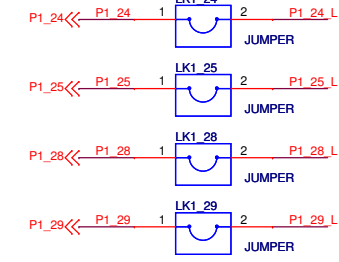
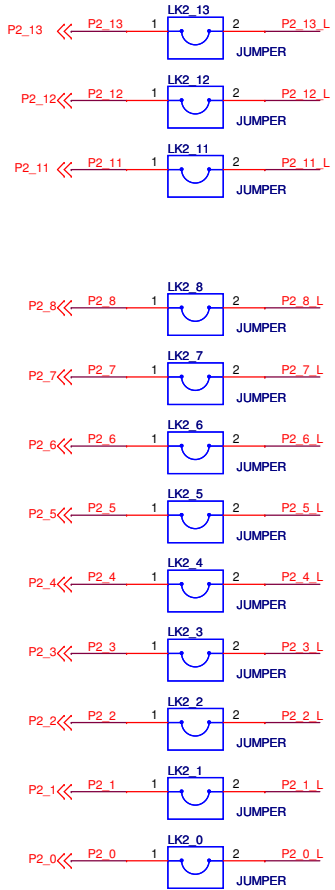
Note C16 is strange 0306 outline

SEPARATE GROUND PLANE ON ALL LAYERS
0.25" GAP TO ADJACENT PLANES

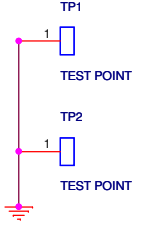
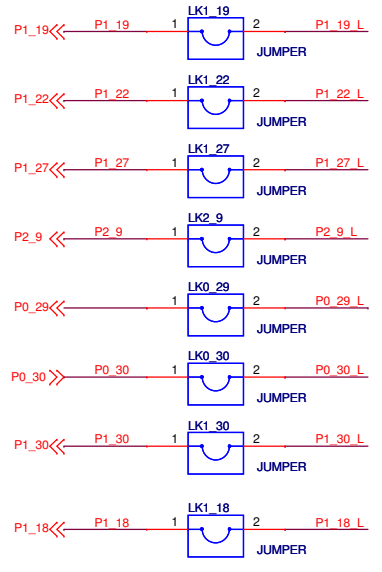
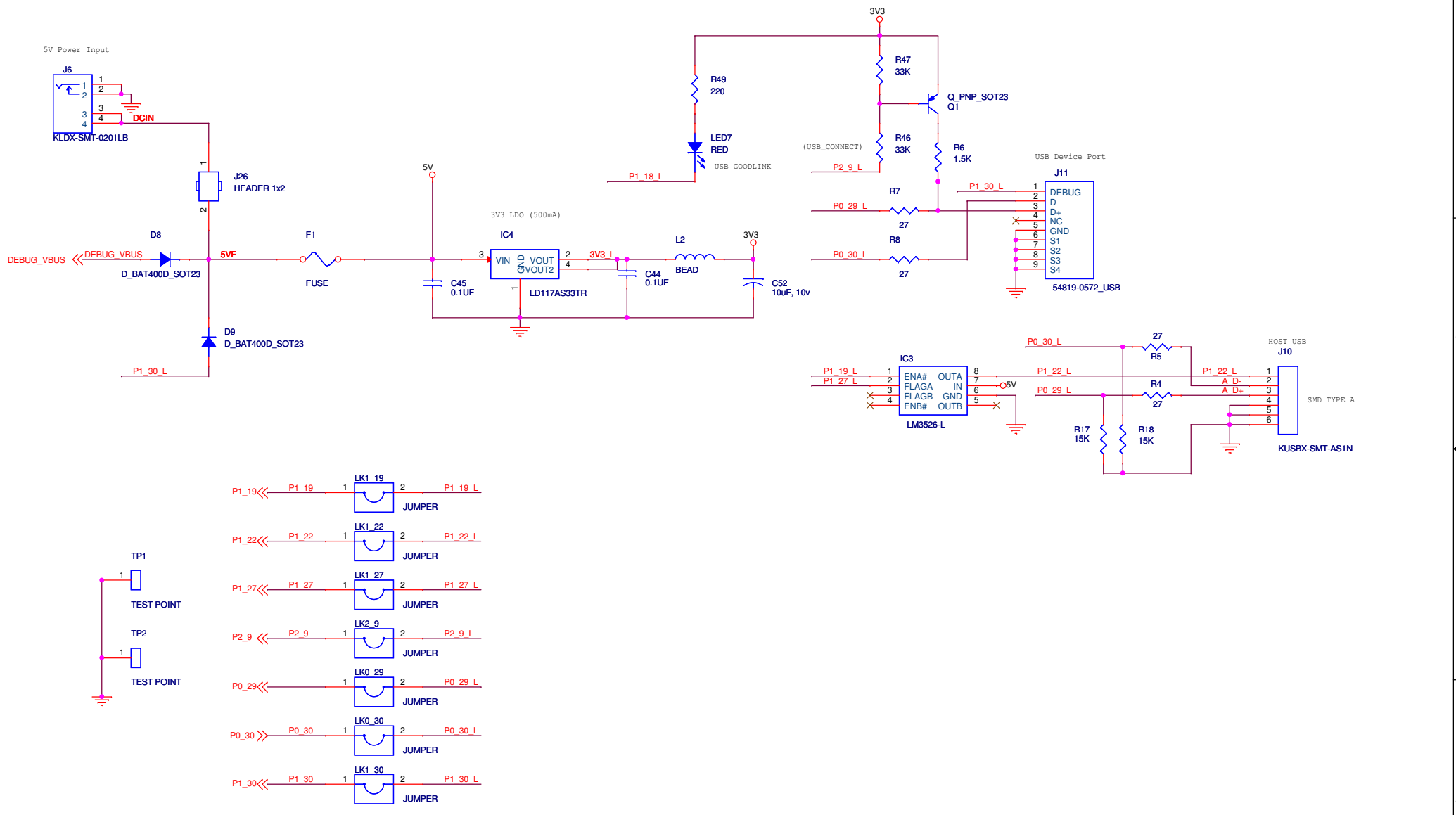
(C) Code Red Technologies Inc. 2009		
ETHERNET INTERFACE - SMSC		
Size B	Document Number RDB1768v2 PAGE3	Rev 4.0
Date: Saturday, May 15, 2010	Sheet 3 of 7	



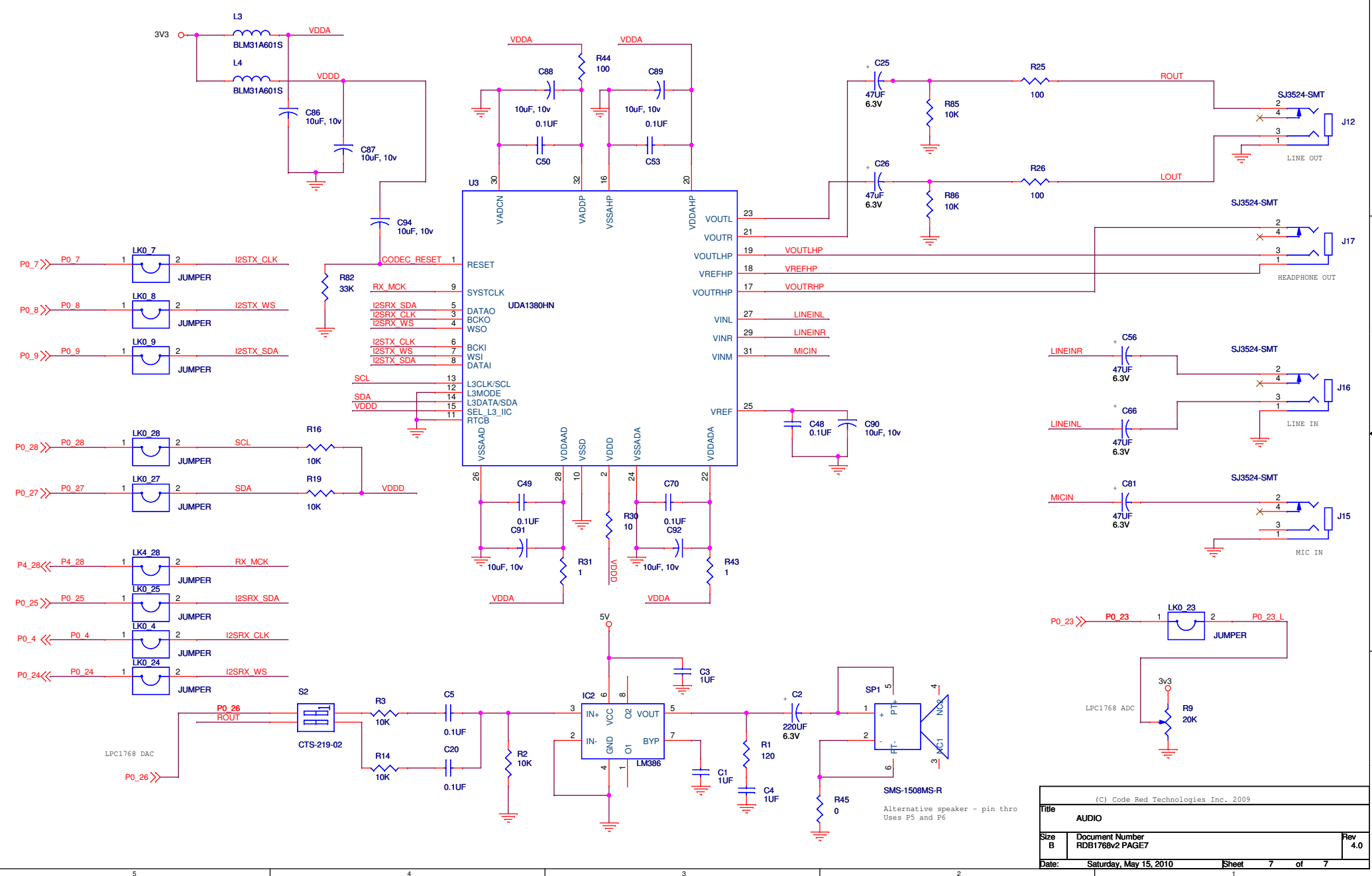
(C) Code Red Technologies Inc. 2009		
Title		
On Board Debug (OBD)		
Size	Document Number	Rev
B	RDB1768v2 PAGE4	4.0
Date:	Saturday, May 15, 2010	Sheet 4 of 7



(C) Code Red Technologies Inc. 2009		
Title Display, LEDES and Joystick		
Size B	Document Number RDB1768v2 PAGE5	Rev 4.0
Date: Saturday, May 15, 2010	Sheet 5	of 7



(C) Code Red Technologies Inc. 2009		
Title POWER/USB DEVICE/USB HOST		
Size B	Document Number RDB1768v2 PAGE6	Rev 4.0
Date: Saturday, May 15, 2010	Sheet 6	of 7



(C) Code Red Technologies Inc. 2009

Title			AUDIO
Size	Document Number	Rev	
B	RDB1768v2 PAGE7	4.0	
Date:	Saturday, May 15, 2010	Sheet	7 of 7